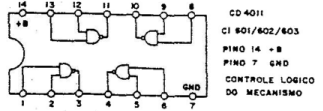


NOTAS
 LED VERMELHO N.º 208 D403 e 408/427/428
 LED VERDE T.º 208 D415 e 418/421 e 426/431

RCA 3055 Q 502
 BC327/N Q 604/605
 BC337/N Q111/112/55/55/55/608/607/608
 BC548 B Q105/106/107/108/113/114/115/116/553/603/602
 BC549 B Q101/102/103/104
 BC557 B Q 401
 8D135/46 Q 501



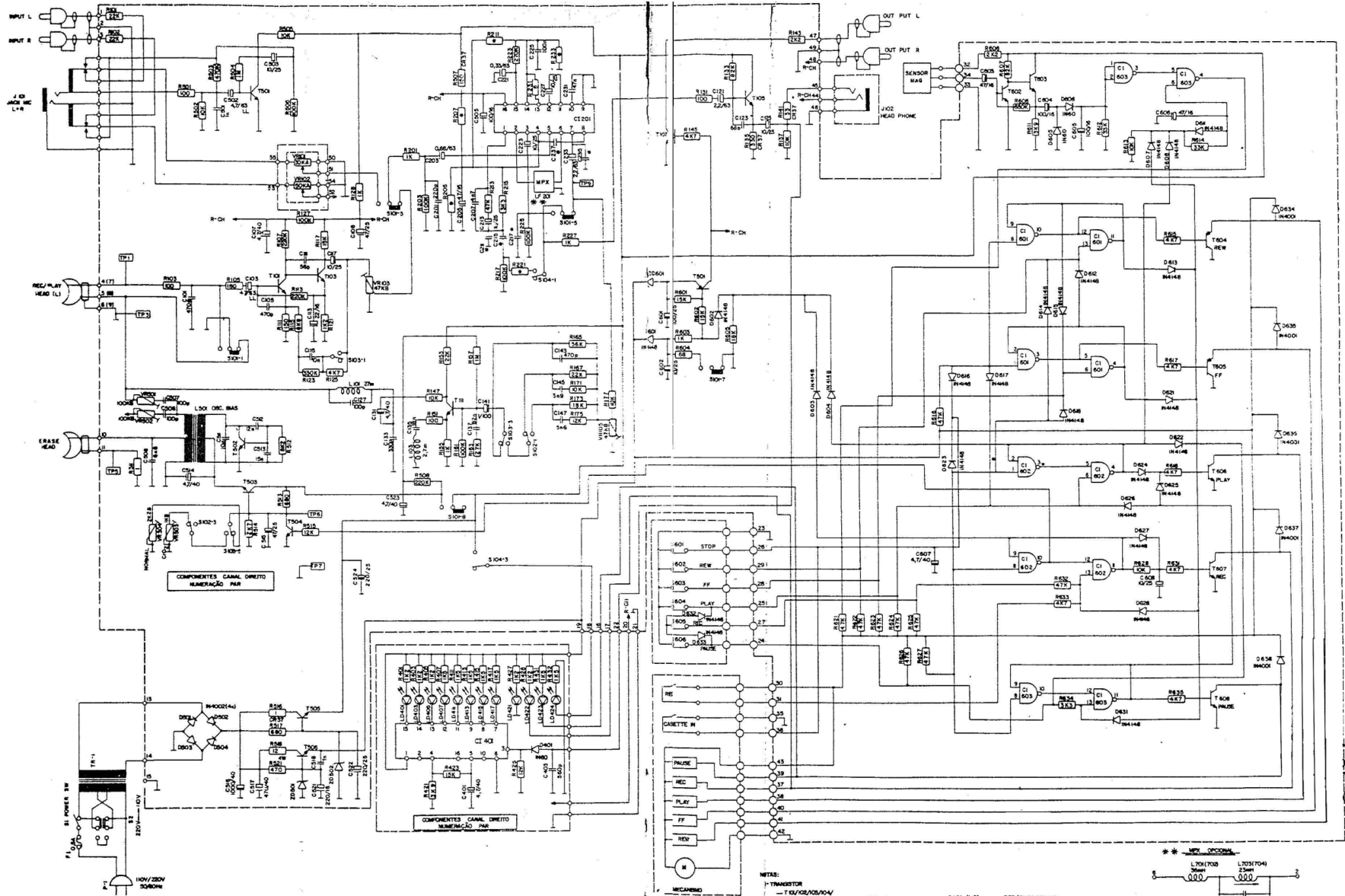
S 101-0/2) REC/PLAY (PLAY)
 S 102-Cr02/METAL (Cr02)
 S 103-NORMAL/HIGH BIAS (NORMAL)

COMPONENTES CANAL DIREITO
 NUMERAÇÃO PAR

NÍVEL LÓGICO DOS PINS DOE C76 601/602/603 (FUNÇÃO REC/PLAY)

CI	1	2	3	4	5	6	7	8	9	10	11	12	13	14
601	H	L	L	L	L	H	H	H	L	L	L	H	H	H
602	H	L	L	L	L	L	H	H	L	L	L	L	H	H
603	H	L	L	L	L	L	H	H	L	L	L	L	H	H

H=8e13V
 L=0e1V
 *SE TEMORES INDICADAS NO ESQUEMA FORAM MEDIDAS COM
 MULTÍMETRO DIGITAL N.º MODELO 3468 B.



* 001 ff NR C 201/202

COMPONENTE	VALOR	REF. N	LM 1112 C
R202/204/203	10K	X	
R221/222	10	X	JUMPER
R211/212	10K	X	
C217/218/236	100nF	SW	
C215/216	100nF		33nF
C211/212	100nF		100nF
R231/232	150K		
R233/234	330K		
C237/238	1nF		

- NOTAS:
- TRANSISTOR
 - T 501/502/503/504 - BC548B
 - T505/506/507/508 - BC107/76
 - T507/508/509/510/511 - BC107/76
 - T509 - BC107/76
 - T508 - BC107/76
 - T509 - BC107/76
 - T504/505 - BC107/76
 - Z-LED
 - L701/702/703/704 - 20V 36.4 (VR)
 - L705/706/707/708 - 20V 36.4 (VR)
 - L709/710 - 20V 36.4 (VR)
 - 3-ZENER
 - Z501 - 5.1V 1W
 - Z502 - 5.1V 1W
 - Z503 - 5.1V 1W

- S101 (I-4) - REC/PLAY (PL/RI)
- S102 (I-3) - P (P/META. (OFF))
- S103 (I-5) - NORM. BAS/NORMAL (NORMAL)
- S104 (I-3) - DOBY NR (OFF)
- C1 601/602/603 - CD 4011
- C1 401/402 - LM 1409
- C1 201/202 - ME 645 B/N em LM 1112 C

